



The LeoFresnel offers 15° to 60° beam angle without color fringing, wireless and wired DMX control, and an output comparable to a traditional 1000 W Tungsten light for film, studio, and event. With a built-in battery providing 2 hours of operation on MAX brightness at 250 W, it can be extended using the RuntimeExtender. Accessories included are the Fresnel Lens, Barndoor, and Airline Tracks for attaching the YokeBase, Rabbit-Rounder Adapter for easy mounting and other Astera accessories such as TrackHandle, TrackPin, and the standard TVMP Adapter.



Max 20h



Wireless DMX



IP55



App

## FEATURES

### Built-in battery 2 hours on MAX Runtime

Built-in battery for 2 hours on MAX Runtime.



### External Battery Option

Connect one or two RuntimeExtenders with V-Mount or Gold Mount battery for additional Runtime. One 14.4 V battery can operate the light on reduced power. A single 26V battery or two 14.4V batteries allow full power output.



### Removable Lens

Slide out Barndoor and Lens to create an Open Source fixture.



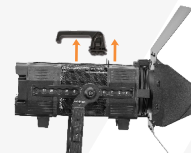
### Yoke Quick-Release

The light can easily be taken out of its Yoke.



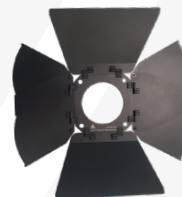
### Removable Handle

TrackHandle can be removed or inserted into the Airline Tracks.



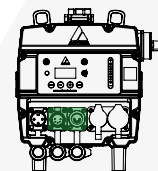
### Barndoor

The Barndoor contains a total of 8 leaves, 4 of them can be slid out if needed.



### Wired DMX

The included XLR in+out sockets allow easy DMX wiring.



# SPECIFICATIONS

	<b>LeoFresnel</b>
Order Code	AF250
LED Engine	Titan LED Engine
Colors	RGBMintAmber
Total LED Power	350 W
LED Power Draw	250 W
CRI (Ra)/ TLCI 3200- 6500 K*	≥96
Beam Angle	15° - 60°
Strobe	0 - 25 Hertz
Pixels	1
Battery Runtime	up to 20 hours
Battery Runtime (max. Brightness)	2 h
Battery Lifetime	80 % after 400 cycles
DC Input	12 - 48 VDC; max. 15A
DC Connector	3pin XLR (Pin 1:- Pin 2:+)
AC Input	100 - 240 VAC, 50/60 Hertz, 3.8 A, 250 W
AC Connector	PowerCON TRUE1 Input/Output
Wired DMX	Yes (5-pin XLR)
CRMX Receiver	Built-in
BluetoothBridge BTB	Built-in
Wireless Protocols	CRMX, UHF, Bluetooth, WIFI, RDM
Wireless Range	CRMX/UHF up to 300 m / 330 yds Bluetooth up to 3 m / 3.3 yds
Infrared Control	Yes
TouchSlider	Yes
Housing Material	Polymer & Metal
IP Rating unwired	IP55
IP Rating wired	IP55
Ambient Operating Temperature	0 - 40 °C / 32 - 104 °F
Weight (with AF250-FL, AF250-BD)	13.83 kg / 30.48 lbs
Weight (with AF250-FL, AF250-BD, AF250-YK, 2x AF250-YKB)	16.32 kg / 35.99 lbs
Dimensions L x W x D	455 mm x 215 mm x 240 mm / 17.91" x 8.46" x 9.45"
Dimensions L x W x H (with AF250-YK, 2x AF250-YKB, AX-TVMP, AX-THD)	455 mm x 371 mm x 545 mm / 17.91" x 14.61" x 21.46"
Mounting Options	AirlineTracks, Yoke with 2x BrickMount (PB15-BMO) and 1/2" mounting hole

\*Typical value

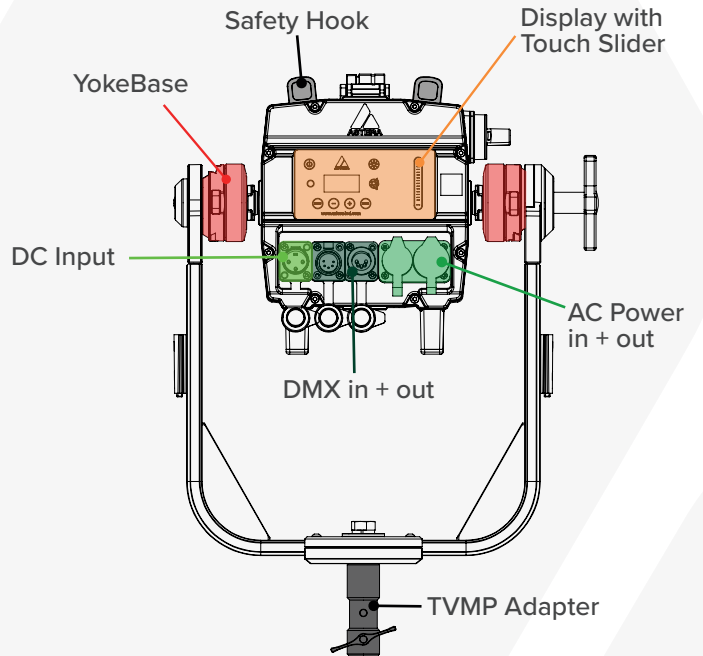
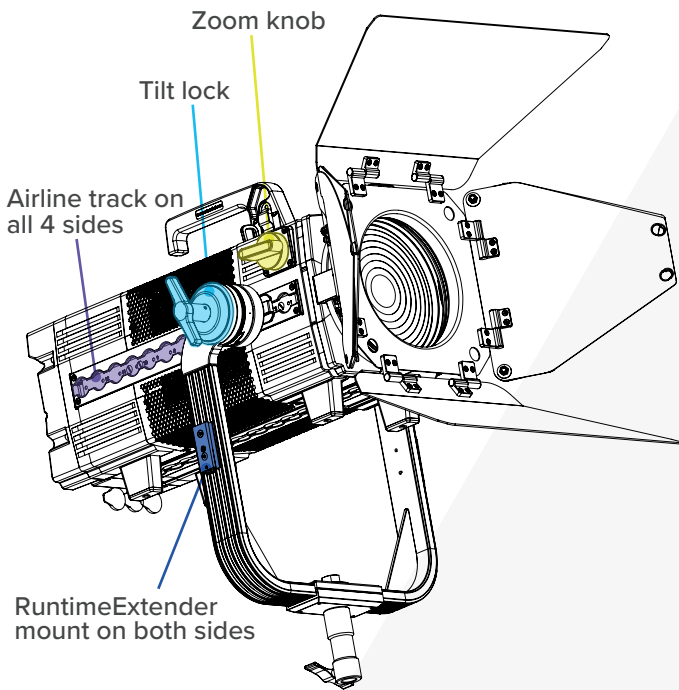
# RF CHARACTERISTICS

Wireless Modules	EU: UHF*** (863-870MHz)	USA: UHF (917-922.20MHz)	AUS: UHF (922.30-927.50MHz)	SGP: UHF (920.50-924.50MHz)	KOR: UHF (917.9-921.5MHz)
Modulation	FHSS	FHSS	FHSS	FHSS	FHSS
ERP (Transmitter)	<25mW	<25mW	<25mW	<25mW	<25mW
Channel Count	47	53	53	41	10

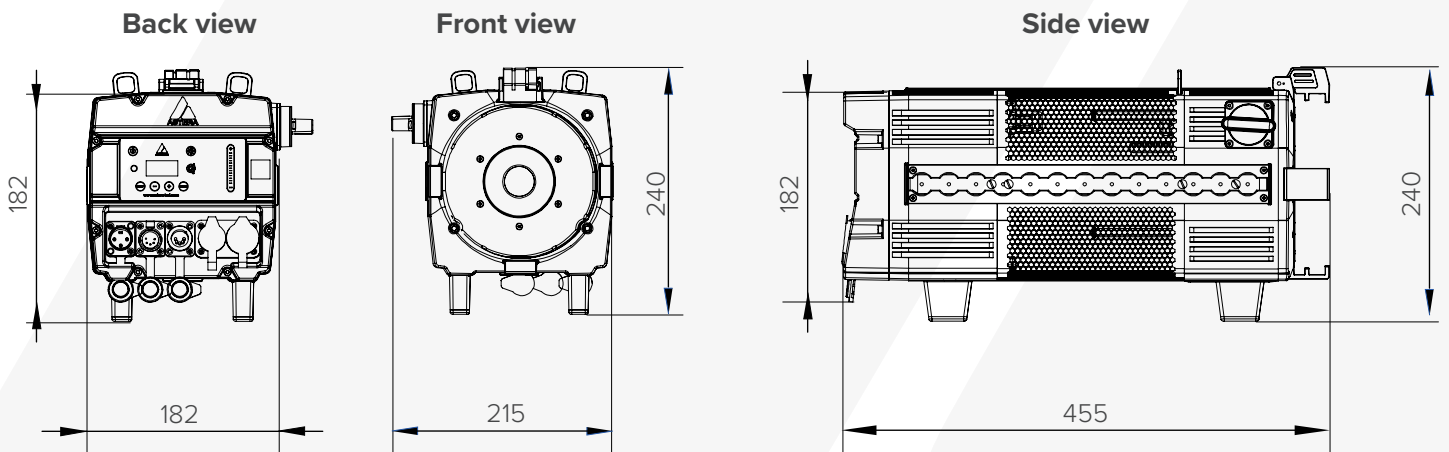
Wireless Modules	RUS: UHF (868.75-869.12MHz)	JPN: UHF (922.80-926.40MHz)	CRMX (2402-2480MHz)	Bluetooth 5.0 LE (2402-2480MHz)	WiFi (2412-2472MHz)
Modulation	FHSS	FHSS	FHSS	FHSS	DSSS, OFDM
ERP (Transmitter)	<25mW	<25mW	-	10mW (BLE)	<100mW
Channel Count	6	19	79	40	13

\*\*\*General allocation of frequencies for use by short-range radio applications

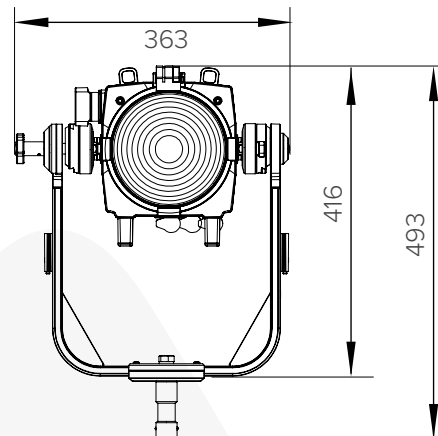
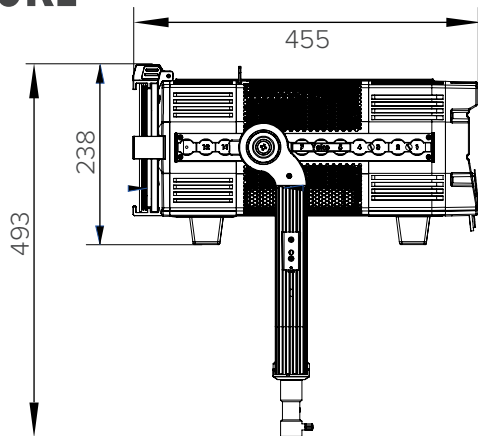
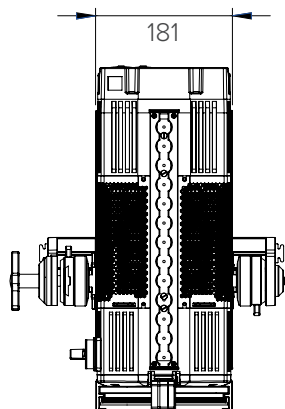
# BUILT-IN FEATURES



# DRAWINGS WITHOUT ACCESSORIES



# DRAWINGS WITH YOKE



## INCLUDED ACCESSORIES



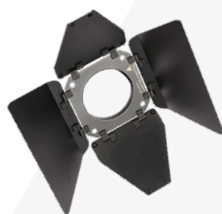
**Yoke**  
AF250-YK



**YokeBase**  
AF250-YKB



**Fresnel Lens**  
AF250-FL



**Barndoor**  
AF250-BD



**TrackHandle**  
AX-THD



**Rabbit-Rounder Adapter**  
AF250-RAA

## OPTIONAL ACCESSORIES

**RuntimeExtender**  
REX1-VM  
REX1-GM



V-Mount Gold Mount

**Y-Cable**  
Connect 2 RuntimeExtenders  
to 1 light  
AF250-XY



**Projection Lens**  
Coming late 2023



**Charging Case (empty)**  
AF250-CSE



**LeoFresnel Kit**  
AF250-KIT



### Contents

- 1x LeoFresnel** (AF250)
- 1x Fresnel Lens** (AF250-FL)
- 1x Barndoor** (AF250-BD)
- 1x Yoke** (AF250-YK)
- 2x YokeBase** (AF250-YKB)
- 1x TVMP Adapter** (AX-TVMP)
- 1x TrackHandle** (AX-THD)
- 1x Rabbit-Rounder Adapter** (AF250-RAA)
- 1x Powercon True1 Cable**
- 1x Case** (AF250-CSE)

## DOPCHOICE ACCESSORIES

**Lantern Medium**  
SBRRUDM



**Lantern Small**  
SBRRUSS

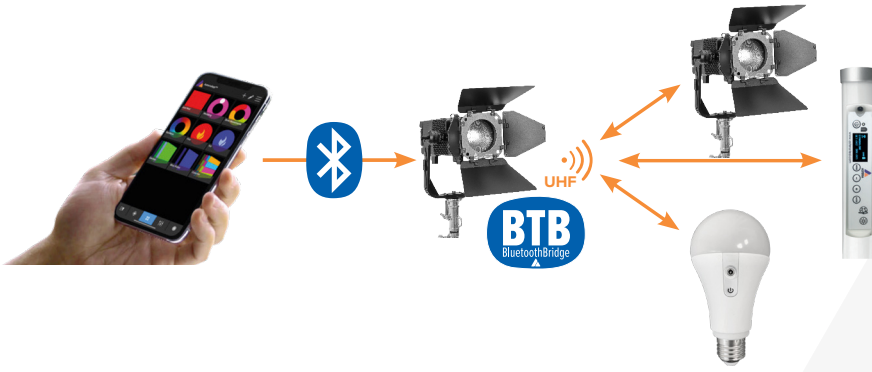


**Octa 5**  
SBRRUO5

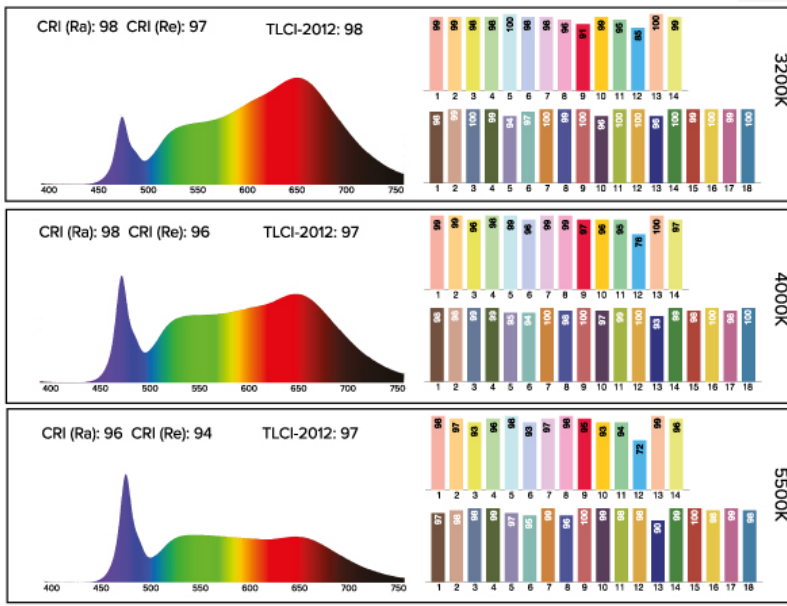


# LEOFRESNEL AS BLUETOOTH BRIDGE

Connect the App directly to a LeoFresnel via Bluetooth. This light will then transmit commands from the AsteraApp to all other LeoFresnels and other Astera lights via the UHF band.



## TYPICAL SPECTRAS



\*Typical values